

Siemens CNC Training portfolio

1. Programming course for G-code – PRG-CNC

Application = Turning

Duration = 5 days

Cost = R 10 000-00

Location = Tshwane University of Technology in Soshanguve, South Africa

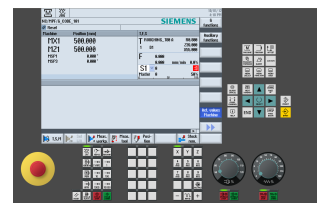


Description :

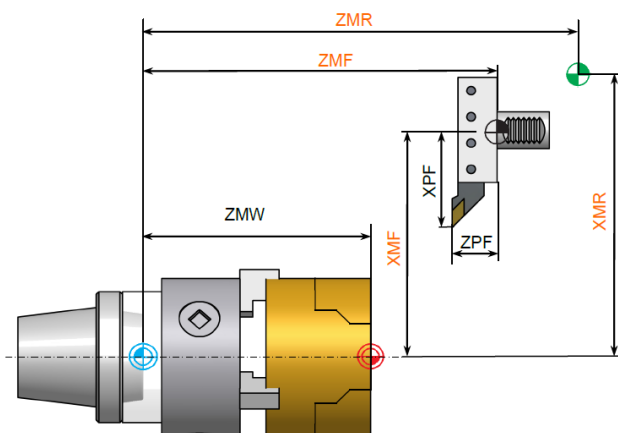


G-codes, cycles and M-codes will be the focus of the course material. Good general mathematical principles will be required from the student. A short test program is completed at the end of the course.

Course content :



- General Technology
- General Geometry
- Simple motion commands
- Mathematical fundamentals
- Origins and zero offsets
- Program Structure
- Face turning and simple contours
- External turning
- Sub programs
- Roughing cycles
- Grooving cycle
- Recess for threading
- Threading cycle
- Deep hole drilling
- Internal turning
- Repetition, Jumps
- Offset, Scale
- Face machining
- Contour calculator
- Operating 840D



Siemens CNC Training portfolio

2. Programming course for G-code – PRG-CNC

Application = Milling

Duration = 5 days

Cost = R 10 000-00

Location = Tshwane University of Technology in Soshanguve, South Africa

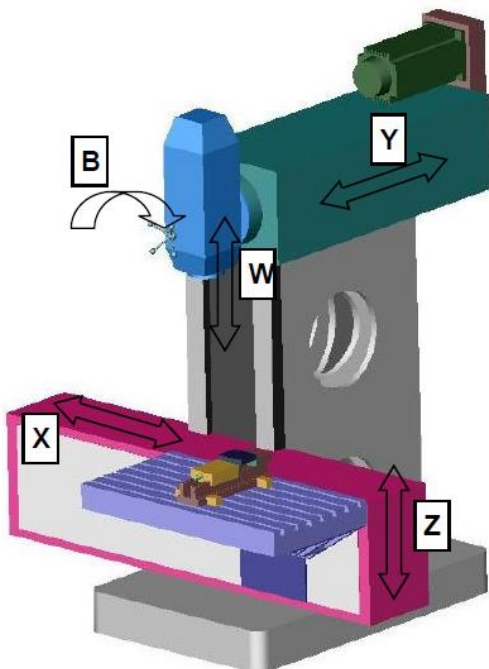
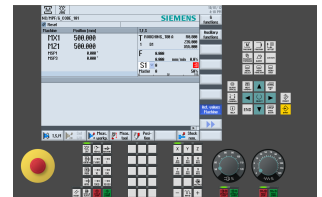


Description :



G-codes, cycles and M-codes will be the focus of the course material. Good general mathematical principles will be required from the student. A short test program is completed at the end of the course.

Course content :



- Technology Basics
- Geometry Basics
- Simple Contour elements
- Mathematical Principles
- Zero offset and reference points
- Program structure
- Contour milling
- Programming of Subroutines - Milling
- Jumps - Repeats - Milling
- Circular and square pockets
- Mirror - Offsets - Rotation - Scale - Milling
- Working with Cycles
- Milling Cycles
- Drilling Cycles - Milling
- Operation_840D

Siemens CNC Training portfolio

3. Advanced Programming course - ADV-PRG-CNC

* Pre-requisite = Programming course

Application = Milling /Turning

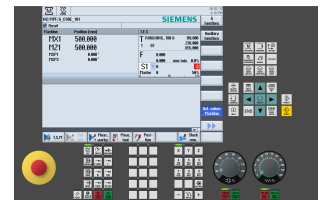
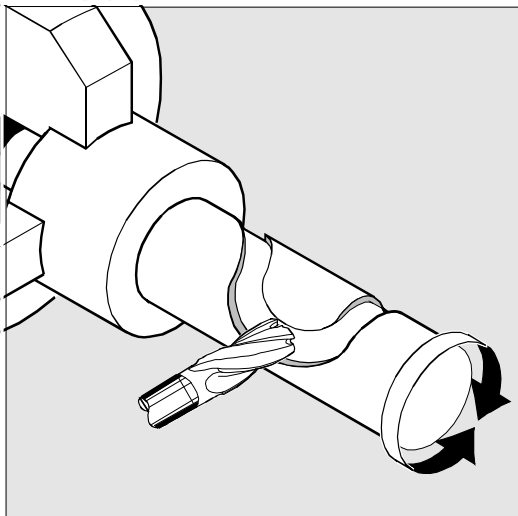
Duration = 5 days

Cost = R 10 000-00

Location = Tshwane University of Technology in Soshanguve, South Africa

Description :

Advanced G-codes, macro's and subroutines will be the focus of the course material. Good general mathematical principles will be required from the student. A short test program is completed at the end of the course.



Course content :

- Contour milling
- Programming of Subroutines - Milling
- Jumps - Repeats - Milling
- Circular and square pockets
- Mirror - Offsets - Rotation - Scale - Milling
- Working with Cycles
- Milling Cycles
- Drilling Cycles - Milling

Siemens CNC Training portfolio

4. Operators and Setters course - OP-ST-CNC

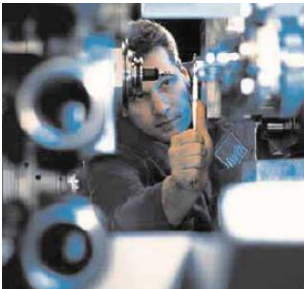
Application = Milling /Turning machines

Duration = 3 days theory and 2 days at machine

Cost = R 13 000-00

Location = Tshwane University of Technology in Soshanguve, South Africa

Description :



The course is designed around operators and setters of CNC machines. It aims to explain what is needed to get your CNC machine ready to execute a job.



Course content :

- Clamping
- Tooling
- Offsets

Siemens CNC Training portfolio

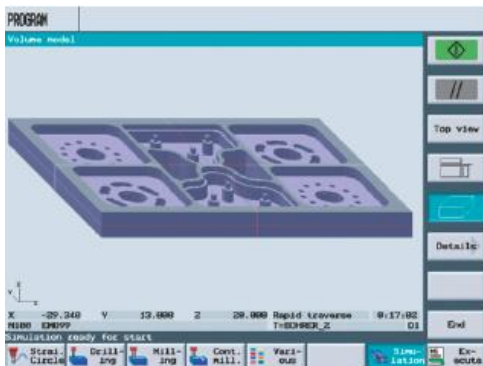
5. SHOPMILL programming - SHOPM-CNC

Application = Milling machines

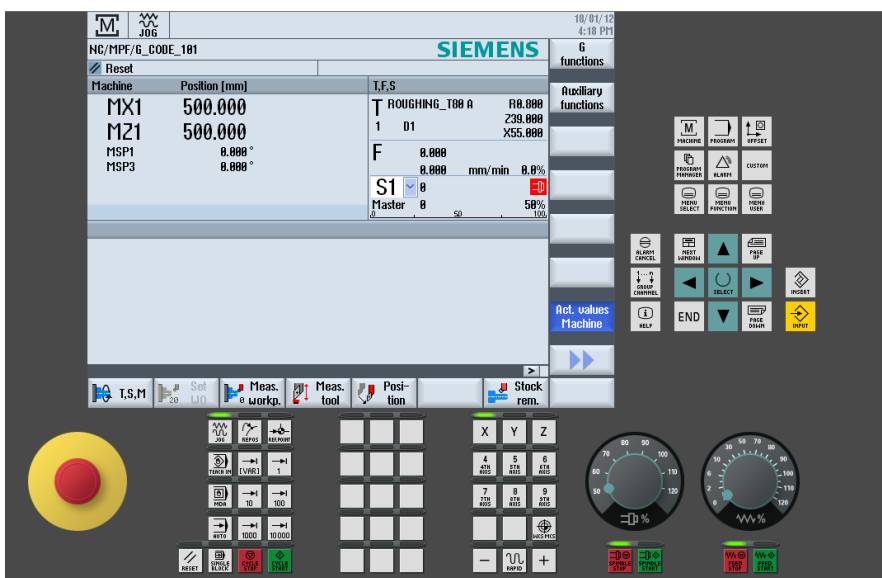
Duration = 3 days

Cost = R 6 000-00

Location = Tshwane University of Technology in Soshanguve South Africa



The course will show you how to program effectively in SHOPMILL.



Course content :

- Basics
- Creating program
- Editor
- Various
- Simulation
- NC Execute

Siemens CNC Training portfolio

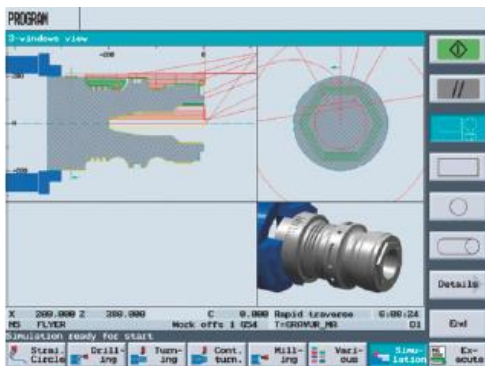
6. SHOPTURN programming - SHOPT-CNC

Application = Turning machines

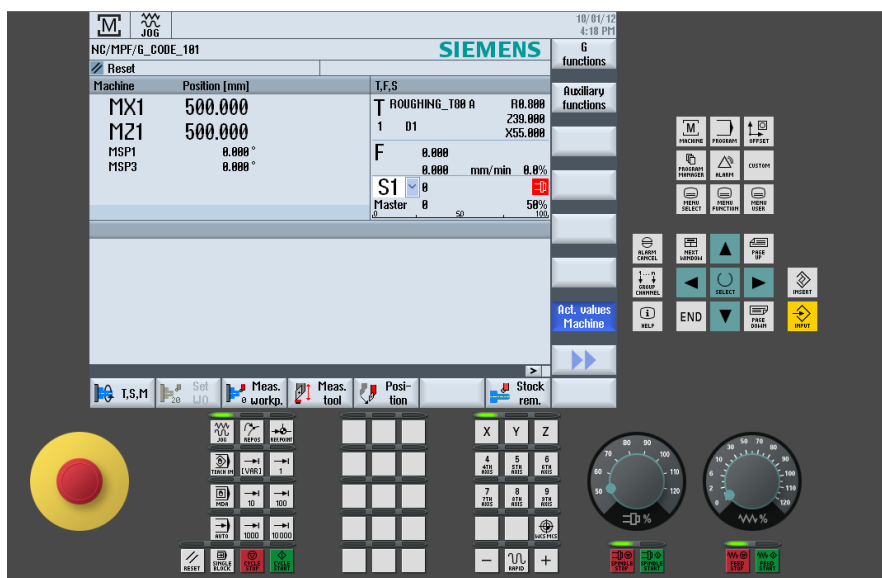
Duration = 3 days

Cost = R 6 000-00

Location = Tshwane University of Technology in Soshanguve, South Africa



The course will show you how to program effectively in SHOPTURN.



Course content :

- Basics
- Creating program
- Editor
- Various
- Simulation
- NC Execute